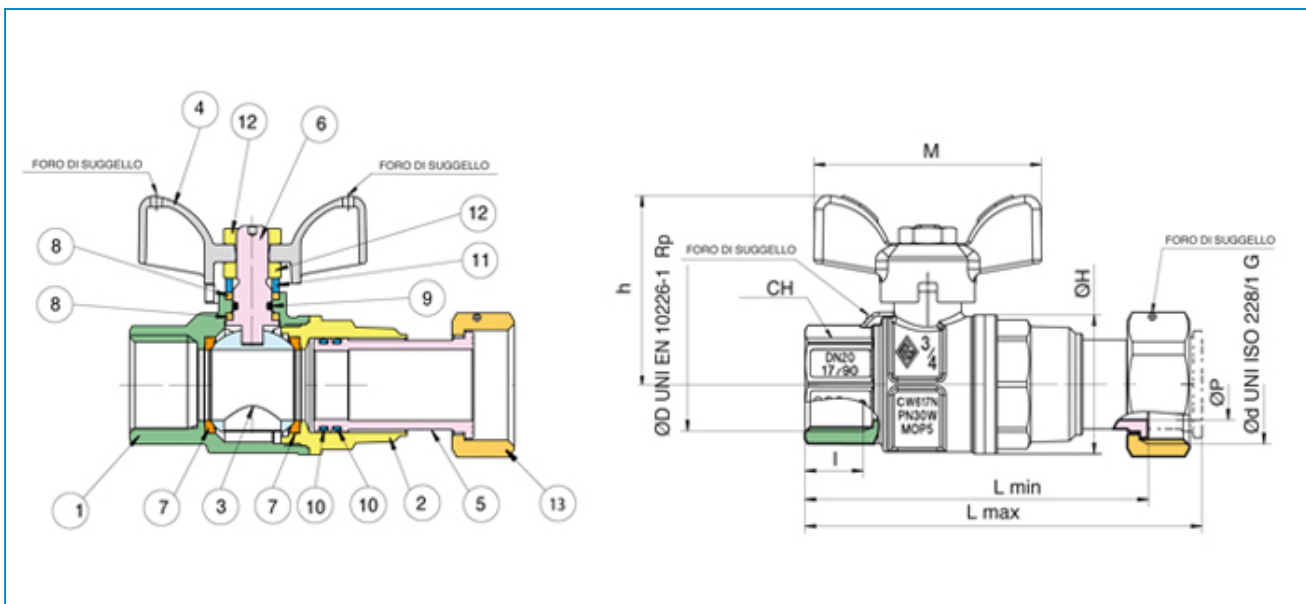




Serie **BUBBLE_SFER**

Articolo **2027**

Water full bore ball valve with meter's entrance, thread female/telescopic fitting, aluminium butterfly handle and ball with automatic rinse system.



POS.	PART NAME	MATERIALE-MATERIALS MATERIAUX-WERKSTOFF- MATERIAL	N°P
1	BODY	OTTONE CW617N UNI EN12165	1
2	END CONNECTION	OTTONE CW617N UNI EN12165	1
3	BALL	OTTONE CW617N UNI EN12165	1
4	STEM	OTTONE CW614N UNI EN12164	1
5	UNION TAIL	OTTONE CW614N UNI EN12164	1
6	T-HANDLE	ALLUMINIO EN-AC 46100	1
7	BALL SEAT	P.T.F.E.	2
8	THRUST WASHER	P.T.F.E.	2
9	O-RING	EPDM	1
10	O-RING	NBR	2
11	PACKING GLANDE	OTTONE CW614N UNI EN12164	1
12	NUT	ACCIAIO CL 04	2
13	NUT	OTTONE CW614N UNI EN12164	1

ØD x Ød	BOX	MASTER BOX	CODICE CODE	ØP	I	Ch	ØH	L max min	h	M	Kv	PN	Kg	
1/2" X 3/4"	25	50	2027260000	15	15	25	33	101	87,5	42	50	16,3	30	0,29
3/4" X 1"	15	30	2027580000	20	16,3	31	39	111	95	53	64	29,5	30	0,48